

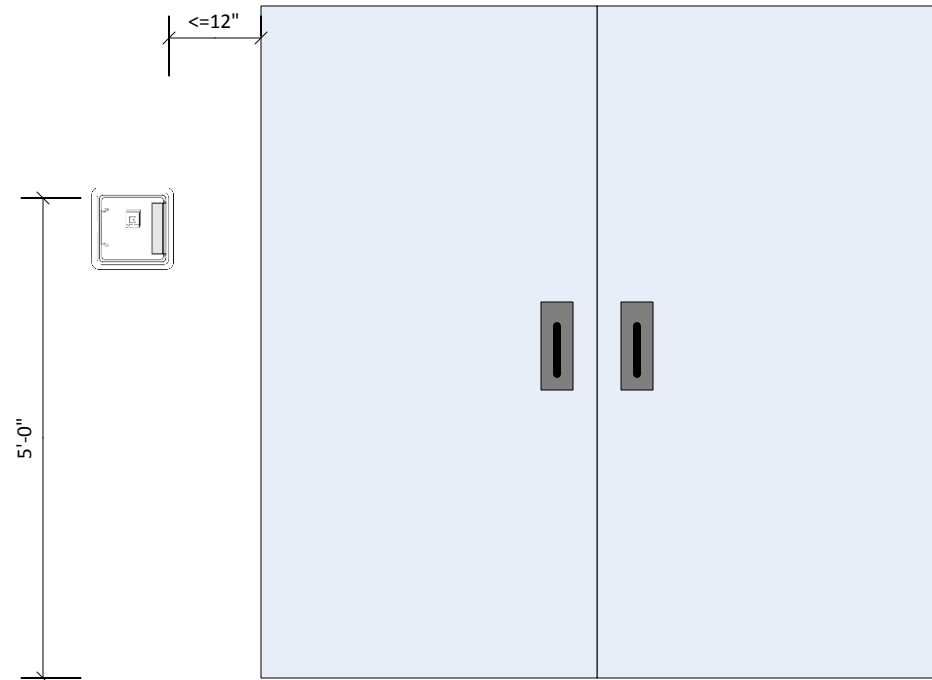
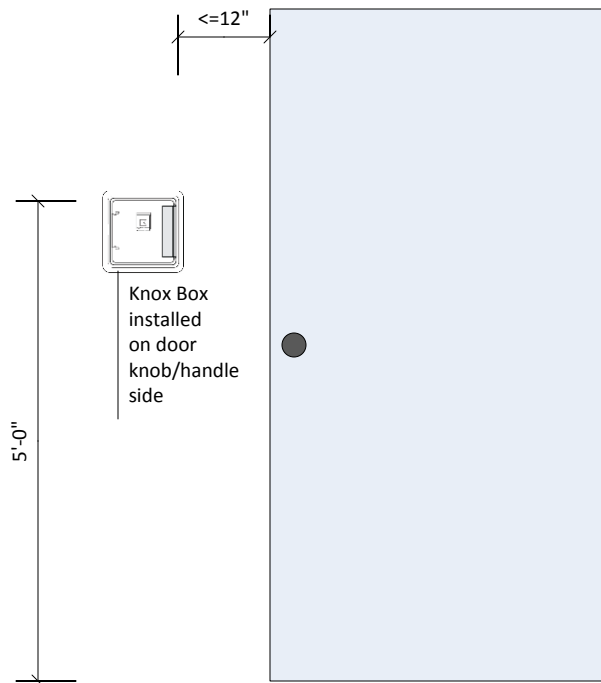
# Knox Box Placement Guide

Village of Salem Lakes  
Fire & Rescue

11252 254th Ct. Trevor, WI 53179  
fpo@voslwi.org  
262-298-5635  
www.villageofsalemlakes.org

On Recessed boxes, measurements are taken from box base (inside of flange)

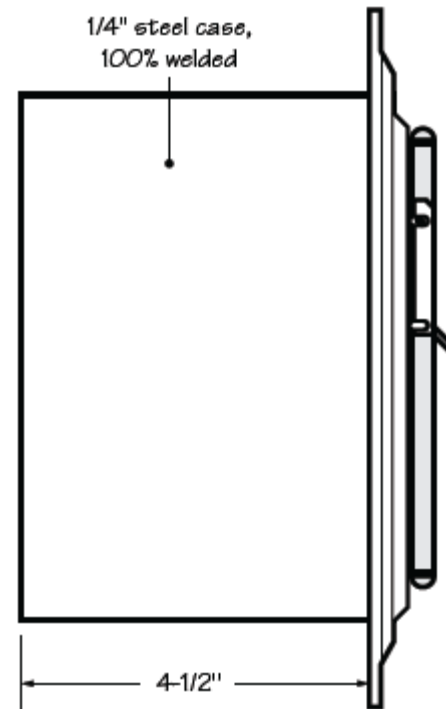
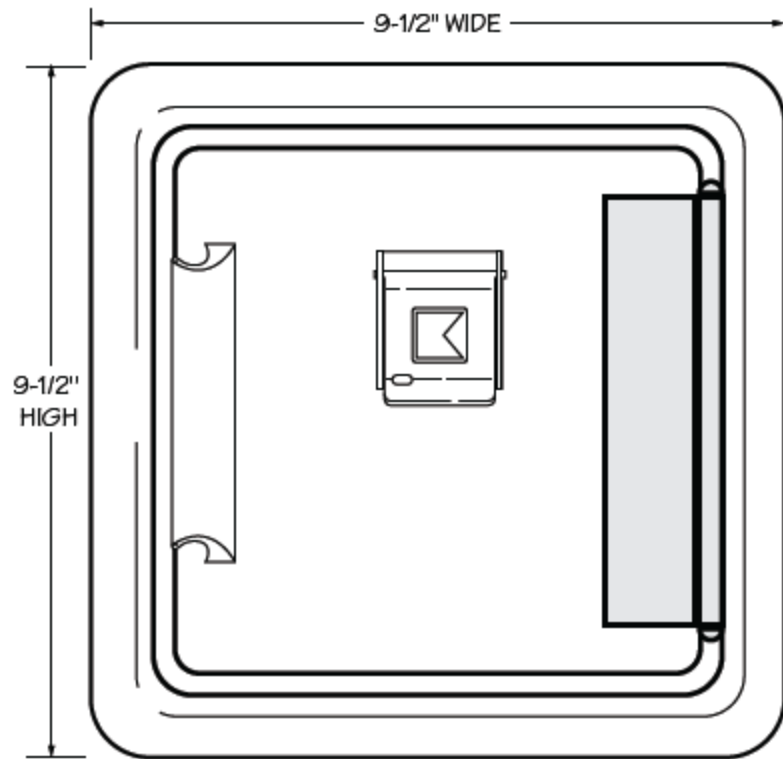
**NOTE: To order Knox Boxes – contact the Fire Department. Knox Company will only accept orders from the Fire Department.**

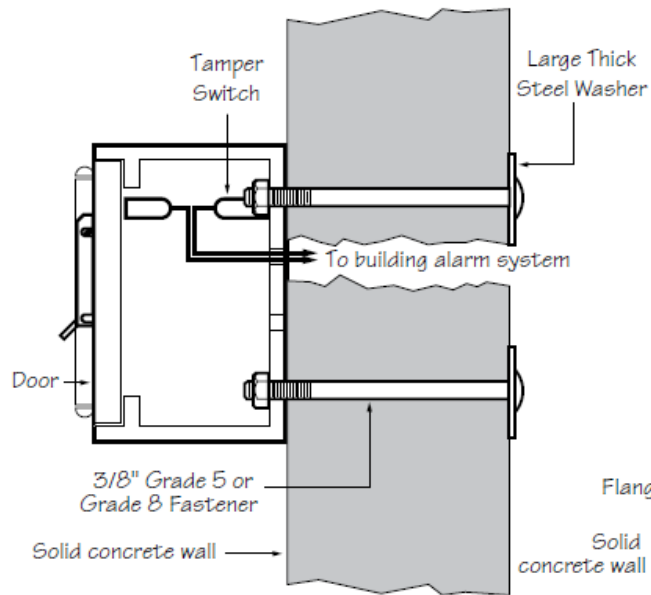


Typical installation locations for single and double doors. Exterior features such as lighting or stairways may alter standard installation locations.

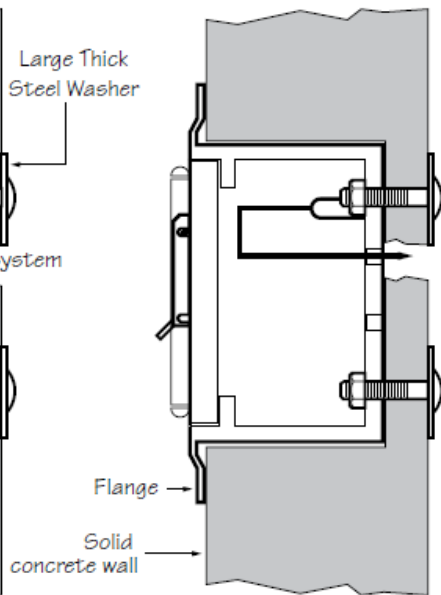
Consult Fire Department prior to installations that may not fit typical locations and/or doorways.

To order Knox Boxes go to: <https://www.knoxbox.com/6179>





**Series 4400 Surface Mount**



**Series 4400 Recessed Mount**

